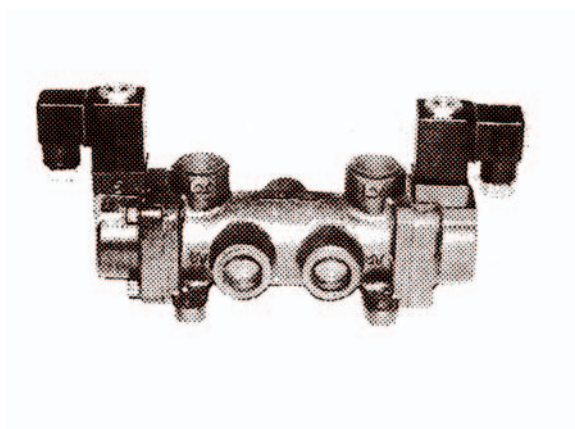
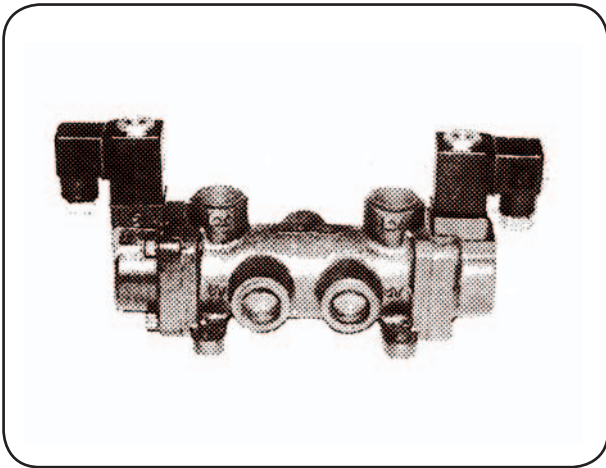


Series 1 Valves



Series 1 - G1/4 through G2 Valves



Series 1

G1/4 to G2 Body Ported Spool
Valves 3/2, 3/3, 5/2, 5/3

Features

- Brass/Bronze Body
- Continuously Rated Solenoid Coils
- Brass/Bronze Distance Pieces
- Stainless Steel Spools
- Manual, Mechanical, Pneumatic or Electrical Actuators
- Mid Position and Self Centring Versions

Technical specification

Pressure Range: 0-10 bar
See next page for details

Temperature Range:

Standard: -10°C + 80°C

High Temperature: -10°C + 180°C

Solenoids: -10°C + 55°C

For details contact Parker Technical Service

For dimensions see pages: D82 - D83

Part nos.

Series

1

S

D

2

16

Specify voltage
where required

Actuator

C = Cam
H = Hand
P = Pilot
S = Solenoid

Action

S = 3-way
D = 5-way

Function

1 = 2-position spring return
2 = 2-position detent
3 = 3-position detent
 all ports closed
4 = 3-position detent
 cylinder ports to exhaust
5 = 3-position spring centred
 all ports closed
6 = 3-position spring centred
 cylinder ports to exhaust
7 = 2-position pilot return

Port size

5 - 1/4" BSP
8 - 1/2" BSP
12 - 3/4" BSP
16 - 1" BSP
24 - 1 1/2" BSP
32 - 2" BSP

COIL DETAILS		
VOLTAGE	a.c.(50Hz)	d.c.
6	L	S
12	M	E
24	B	D
32	O	W
48	V	R
110	C	U
220	A	-
240	Z	J
380	P	-
415	X	-
Power	8 watt holding 13 watt inrush	10 watt
Voltage Variation	= 10%	
Coil Response	40 ms/cycle	
Usage	100% continuous duty	
Temp.	-20°C + 150°C Max.	
VOLTAGES HELD IN STOCK		

Series 1 - G1/4 through G2 Valves

Air pressure ranges - Series 1 valves									
	Solenoid operated valves all sizes			Pilot operated valves all sizes			Lever and cam operated valves all sizes		
	Spring return	Spring centre	Other	Spring return	Spring centre	Other	Spring return	Spring centre	Other
Main supply pressure	2.8-10.0 bar	3.5-10.0 bar	2.1-10.0 bar	0-10.0 bar	0-10.0 bar	0-10.0 bar	0-10.0 bar	0-10.0 bar	0-10.0 bar
Pilot pressure	N.A.	N.A.	N.A.	2.8-10.0 bar	3.5-10.0 bar	2.1-10.0 bar	N.A.	N.A.	N.A.

VALVE TYPES OFFERED		
PART#	DESCRIPTION1	DESCRIPTION2
1CD15	VALVE G1/4 5/2 CAM SPRING	SERIES 1
1CD18	VALVE G1/2 5/2 CAM SPRING	SERIES 1
1CS18	VALVE G1/4 3/2 CAM SPRING	SERIES 1
1HD112	VALVE G3/4 5/2 LEVER SPRING	SERIES 1
1HD116	VALVE G1 5/2 LEVER SPRING	SERIES 1
1HD124	VALVE G1.1/2 5/2 LEVER SPRING	SERIES 1
1HD132	VALVE G2 5/2 LEVER SPRING	SERIES 1
1HD15	VALVE G1/4 5/2 LEVER SPRING	SERIES 1
1HD18	VALVE G1/2 5/2 LEVER SPRING	SERIES 1
1HD212	VALVE G3/4 5/2 LEVER LEVER	SERIES 1
1HD216	VALVE G1 5/2 LEVER LEVER	SERIES 1
1HD224	VALVE G1.1/2 5/2 LEVER LEVER	SERIES 1
1HD232	VALVE G2 5/2 LEVER LEVER	SERIES 1
1HD25	VALVE G1/4 5/2 LEVER LEVER	SERIES 1
1HD28	VALVE G1/2 5/2 LEVER LEVER	SERIES 1
1HD312	VALVE G3/4 5/3 LEVER LEVER	NEUTRAL SERIES 1
1HD316	VALVE G1 5/3 LEVER LEVER	NEUTRAL SERIES 1
1HD324	VALVE G1.1/2 5/3 LEVER LEVER	NEUTRAL SERIES 1
1HD332	VALVE G2 5/3 LEVER LEVER	NEUTRAL SERIES 1
1HD35	VALVE G1/4 5/3 LEVER LEVER	NEUTRAL SERIES 1
1HD38	VALVE G1/2 5/3 LEVER LEVER	NEUTRAL SERIES 1
1HD416	VALVE G1 5/3 LEVER LEVER	CENTRE EXHAUST SERIES 1
1HD45	VALVE G1/4 5/3 LEVER LEVER	CENTRE EXHAUST SERIES 1
1HD48	VALVE G1/2 5/3 LEVER LEVER	CENTRE EXHAUST SERIES 1
1HD512	VALVE G3/4 5/3 LEVER SPRNGCTR	NEUTRAL SERIES 1
1HD516	VALVE G1 5/3 LEVER SPRNGCTR	NEUTRAL SERIES 1
1HD524	VALVE G1.1/2 5/3 LEVER SPRCTR	NEUTRAL SERIES 1
1HD532	VALVE G2 5/3 LEVER SPRNGCTR	NEUTRAL SERIES 1
1HD55	VALVE G1/4 5/3 LEVER SPRNGCTR	NEUTRAL SERIES 1
1HD58	VALVE G1/2 5/3 LEVER SPRNGCTR	NEUTRAL SERIES 1
1HD612	VALVE G3/4 5/3 LEVER SPRNGCTR	CENTRE EXHAUST SERIES 1
1HD616	VALVE G1 5/3 LEVER SPRNGCTR	CENTRE EXHAUST SERIES 1
1HD65	VALVE G1/4 5/3 LEVER SPRNGCTR	CENTRE EXHAUST SERIES 1
1HD68	VALVE G1/2 5/3 LEVER SPRNGCTR	CENTRE EXHAUST SERIES 1
1HD78	VALVE G1/2 5/2 LEVER PILOT	SERIES 1
1HS112	VALVE G3/4 3/2 LEVER SPRING	SERIES 1
1HS116	VALVE G1 3/2 LEVER SPRING	SERIES 1
1HS124	VALVE G1.1/2 3/2 LEVER SPRING	SERIES 1
1HS132	VALVE G2 3/2 LEVER SPRING	SERIES 1
1HS18	VALVE G1/2 3/2 LEVER SPRING	SERIES 1
1HS212	VALVE G3/4 3/2 LEVER LEVER	SERIES 1
1HS216	VALVE G1 3/2 LEVER LEVER	SERIES 1
1HS224	VALVE G1.1/2 3/2 LEVER LEVER	SERIES 1
1HS232	VALVE G2 3/2 LEVER LEVER	SERIES 1
1HS28	VALVE G1/2 3/2 LEVER LEVER	SERIES 1

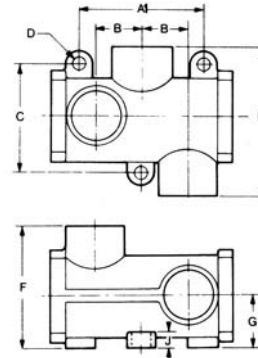
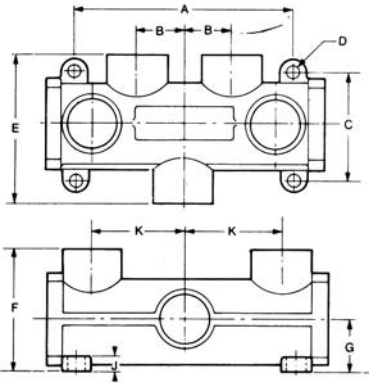
VALVE TYPES OFFERED		
PART#	DESCRIPTION1	DESCRIPTION2
1PD112	VALVE G3/4 5/2 PILOT SPRING	SERIES 1
1PD116	VALVE G1 5/2 PILOT SPRING	SERIES 1
1PD124	VALVE G1.1/2 5/2 PILOT SPRING	SERIES 1
1PD132	VALVE G2 5/2 PILOT SPRING	SERIES 1
1PD15	VALVE G1/4 5/2 PILOT SPRING	SERIES 1
1PD18	VALVE G1/2 5/2 PILOT SPRING	SERIES 1
1PD212	VALVE G3/4 5/2 PILOT PILOT	SERIES 1
1PD216	VALVE G1 5/2 PILOT PILOT	SERIES 1
1PD224	VALVE G1.1/2 5/2 PILOT PILOT	SERIES 1
1PD232	VALVE G2 5/2 PILOT PILOT	SERIES 1
1PD25	VALVE G1/4 5/2 PILOT PILOT	SERIES 1
1PD28	VALVE G1/2 5/2 PILOT PILOT	SERIES 1
1PD512	VALVE G3/4 5/3 PILOT SPRNGCTR	NEUTRAL SERIES 1
1PD516	VALVE G1 5/3 PILOT SPRNGCTR	NEUTRAL SERIES 1
1PD524	VALVE G1.1/2 5/3 PILOT SPRCTR	NEUTRAL SERIES 1
1PD532	VALVE G2 5/3 PILOT SPRNGCTR	NEUTRAL SERIES 1
1PD55	VALVE G1/4 5/3 PILOT SPRNGCTR	NEUTRAL SERIES 1
1PD58	VALVE G1/2 5/3 PILOT SPRNGCTR	NEUTRAL SERIES 1
1PD612	VALVE G3/4 5/3 PILOT SPRNGCTR	CENTRE EXHAUST SERIES 1
1PD616	VALVE G1 5/3 PILOT SPRNGCTR	CENTRE EXHAUST SERIES 1
1PD624	VALVE G1.1/2 5/3 PILOT SPRCTR	CENTRE EXHAUST SERIES 1
1PD632	VALVE G2 5/3 PILOT SPRNGCTR	CENTRE EXHAUST SERIES 1
1PD65	VALVE G1/4 5/3 PILOT SPRNGCTR	CENTRE EXHAUST SERIES 1
1PD68	VALVE G1/2 5/3 PILOT SPRNGCTR	CENTRE EXHAUST SERIES 1
1PS112	VALVE G3/4 3/2 PILOT SPRING	SERIES 1
1PS116	VALVE G1 3/2 PILOT SPRING	SERIES 1
1PS124	VALVE G1.1/2 3/2 PILOT SPRING	SERIES 1
1PS132	VALVE G2 3/2 PILOT SPRING	SERIES 1
1PS18	VALVE G1/2 3/2 PILOT SPRING	SERIES 1
1PS212	VALVE G3/4 3/2 PILOT PILOT	SERIES 1
1PS216	VALVE G1 3/2 PILOT PILOT	SERIES 1
1PS224	VALVE G1.1/2 3/2 PILOT PILOT	SERIES 1
1PS232	VALVE G2 3/2 PILOT PILOT	SERIES 1
1PS28	VALVE G1/2 3/2 PILOT PILOT	SERIES 1
1SD112	VALVE G3/4 5/2 SOLENOID SPRING	SERIES 1
1SD116	VALVE G1 5/2 SOLENOID SPRING	SERIES 1
1SD212	VALVE G3/4 5/2 SOLEN'D SOLEN'D	SERIES 1
1SD216	VALVE G1 5/2 SOLEN'D SOLEN'D	SERIES 1
1SD512	VALVE G3/4 5/3 SOLEN SPRNGCTR	NEUTRAL SERIES 1
1SD516	VALVE G1 5/3 SOLEN SPRNGCTR	NEUTRAL SERIES 1
1SD612	VALVE G3/4 5/3 SOLEN SPRNGCTR	CENTRE EXHAUST SERIES 1
1SD616	VALVE G1 5/3 SOLEN SPRNGCTR	CENTRE EXHAUST SERIES 1
1SS112	VALVE G3/4 3/2 SOLENOID SPRING	SERIES 1
1SS116	VALVE G1 3/2 SOLENOID SPRING	SERIES 1
1SS212	VALVE G3/4 3/2 SOLEN'D SOLEN'D	SERIES 1
1SS216	VALVE G1 3/2 SOLEN'D SOLEN'D	SERIES 1

Series 1 - G1/4 through G2 Valves

Spool Valves - Series 1

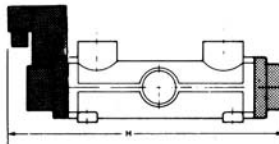
3/2, 3/3, 5/2 and 5/3, G3/4, G1, G1.1/2 and G2 ports

Valve bodies

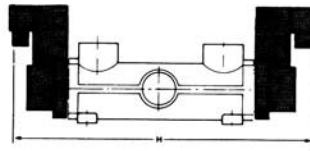


PORT SIZE	A	A1	B	C	D	E	F	G	J	K
G ^{3/4}	4 ^{3/8}	2 ^{3/8}	1	3	1 ^{1/32}	3 ^{7/8}	3 ^{3/16}	1 ^{5/16}	7/16	2
	111	60.3	25.4	76.2	9	98	81	33.4	11	50.8
G1	5 ^{7/8}	3 ^{3/8}	1 ^{1/4}	3	1 ^{1/32}	4 ^{1/8}	3 ^{3/16}	3 ^{5/16}	7/16	2 ^{1/2}
	149.2	85.7	31.8	76.2	9	105	84	33.4	11	63.5
G1 ^{1/2} -2	9 ^{1/2}	4 ^{3/4}	2 ^{3/8}	4 ^{3/8}	1 ^{3/32}	6 ^{1/2}	5 ^{1/4}	1 ^{15/16}	7/16	4 ^{3/4}
	241.3	120.6	60.3	111	10	165	133	49.2	11	108

Solenoid operated valves

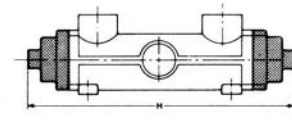


PORT SIZE	3/4	1	1 ^{1/2} -2
H	8 ^{3/4}	10 ^{5/8}	12 ^{3/8}
	222	269	314

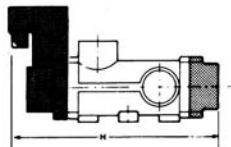


PORT SIZE	3/4	1	1 ^{1/2} -2
H	11	13 ^{1/8}	14 ^{7/8}
	279	333	378

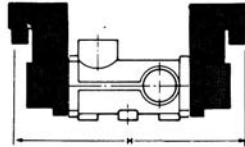
Pilot operated valves



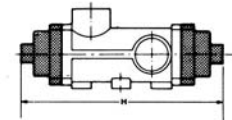
PORT SIZE	3/4	1	1 ^{1/2} -2
H	8 ^{3/4}	10 ^{1/2}	14 ^{7/8}
	222	267	432



PORT SIZE	3/4	1	1 ^{1/2} -2
H	7 ^{3/8}	8 ^{5/8}	9 ^{7/8}
	187	219	251

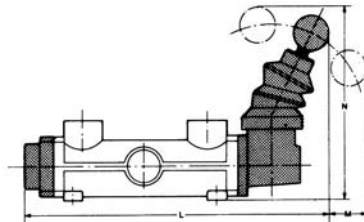


PORT SIZE	3/4	1	1 ^{1/2} -2
H	9 ^{1/8}	11 ^{1/8}	12 ^{3/8}
	231	283	314

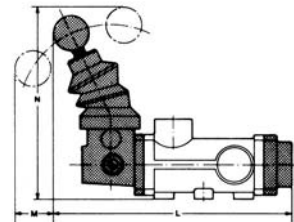


PORT SIZE	3/4	1	1 ^{1/2} -2
H	6 ^{3/4}	8	12 ^{3/4}
	171	203	324

Hand operated valves



PORT SIZE	3/4	1	1 ^{1/2} -2
L	11 ^{1/8}	13 ^{3/4}	21 ^{5/32}
	232	286	417
M	2 ^{5/16}	2 ^{3/8}	3
	59	60	76
N	8 ^{7/8}	9 ^{1/4}	12 ^{1/2}
	225	235	318



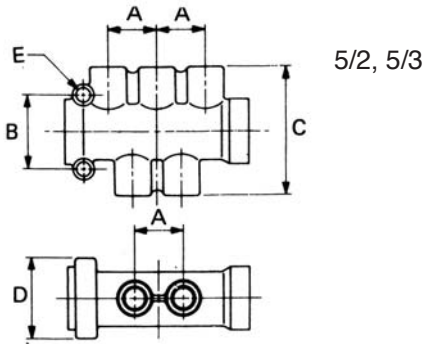
PORT SIZE	3/4	1	1 ^{1/2} -2
L	9 ^{1/8}	11 ^{1/4}	16 ^{13/32}
	232	286	417
M	2 ^{5/16}	2 ^{3/8}	3
	59	60	76
N	8 ^{7/8}	9 ^{1/4}	12 ^{1/2}
	225	235	318

Series 1 - G1/4 through G2 Valves

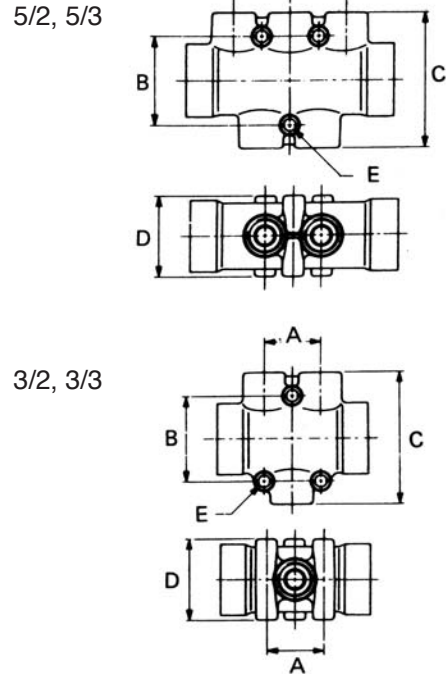
Spool Valves - Series 1

3/2, 3/3, 5/2 and 5/3, G1/4 and G1/2

G1/4 valve bodies



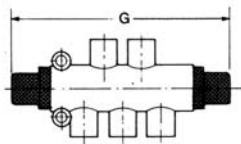
G1/2 valve bodies



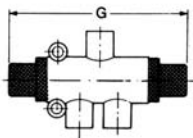
Valve body dimensions

1/4"		1/2"	
25.4	1	A	1.3/8 34.9
38	1 1/2	B	2.1/8 54
65	2 1/2	C	3 1/4 83
41	1.5/8	D	2 50
7	9/32	E	9/32 7

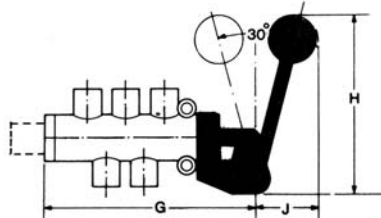
Pilot operated valves



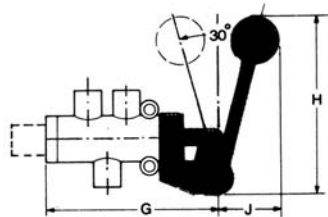
PORT SIZE	G
G ^{1/4}	3 ^{3/4}
	95
G ^{1/2}	4 ^{5/8}
	117



PORT SIZE	G
G ^{1/4}	4 ^{3/4}
	121
G ^{1/2}	6
	152

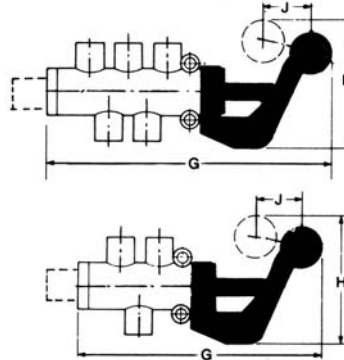


PORT SIZE	G	H	J
G ^{1/4}	5 ^{9/16}	4 1/2	1 1/4
	141	108	32
G ^{1/2}	7	5 1/2	1 1/4
	178	138	32



PORT SIZE	G	H	J
G ^{1/4}	4 1/2	4 1/2	1 1/4
	108	108	32
G ^{1/2}	5 3/4	5 1/2	4 1/4
	146	138	32

Cam operated valves



PORT SIZE	G	H	J
G ^{1/4}	7 1/8	3 1/4	15/16
	181	83	24
G ^{1/2}	8 5/8	3 1/2	1 1/8
	219	89	29

PORT SIZE	G	H	J
G ^{1/4}	6 1/4	3 1/4	15/16
	159	83	24
G ^{1/2}	7 3/4	3 1/2	1 1/8
	197	89	29

Hand operated valves